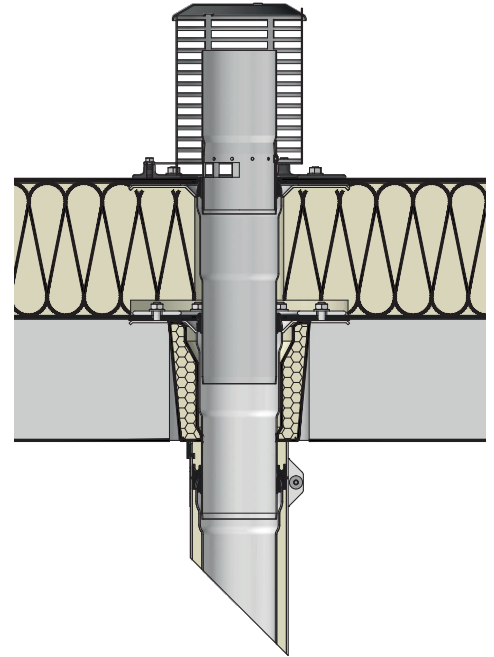


Specification Sheet LX 3035

Retention Roof Drainage Series 84 DRAINLET® with variable retention



Main drainage

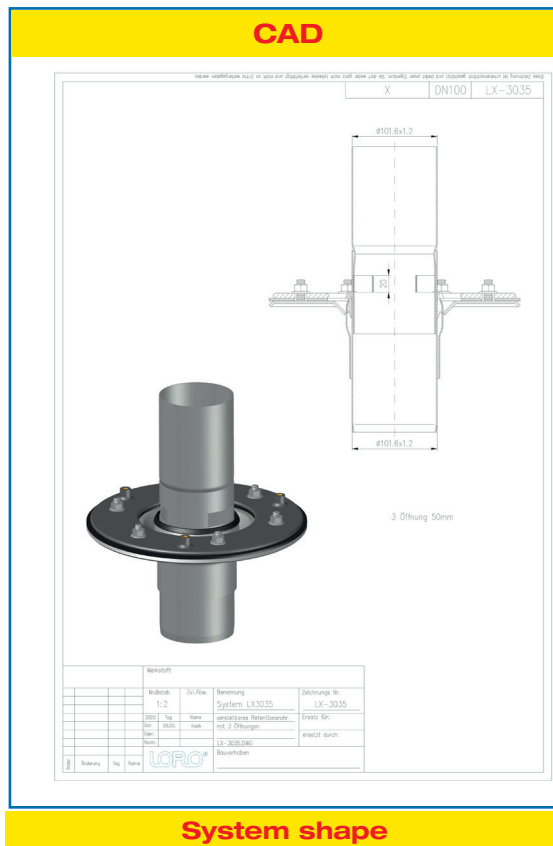
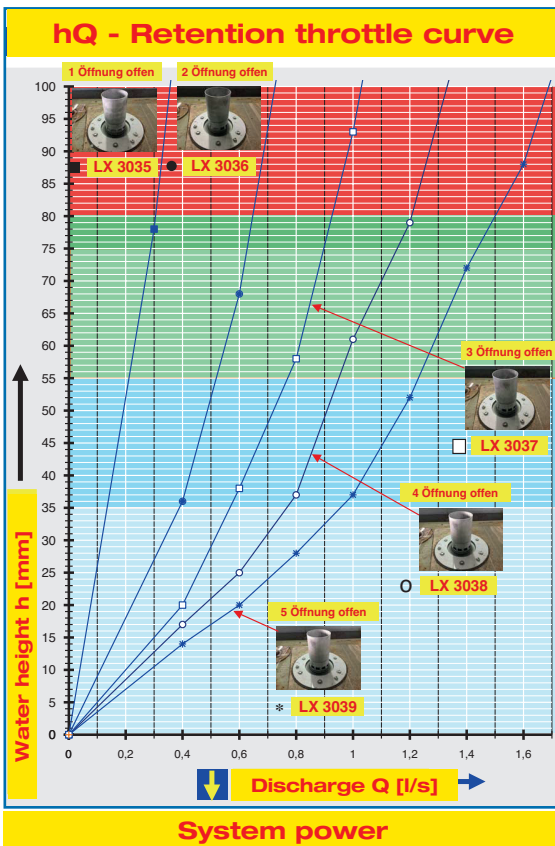
Gravity flow

Silent

Discharge rate:	0.1 bis 1.6
Water height:	building-related
Roof penetration:	-
Diameter:	DN 100
LX-Number:	LX 3035
Weir height:	building-related
Drain:	ventilated
Downpipe:	ventilated
Downpipe height:	-
Drainage:	into ground pipe
Flange:	clamping flange

LX 3035 Piece list

1 x Art.-No. 14514.100X, LORO-X Retention rotary slide



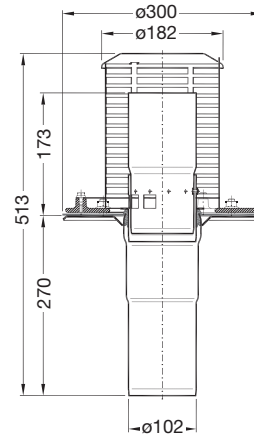
Water height	Openings open	mm	20	25	30	35	40	45	50	55	60	65	70	75	80	85	90
Discharge LX3035	1	l/s	-	-	-	-	-	-	-	-	-	-	-	-	0,31	0,32	0,33
Discharge LX3036	2	l/s	-	-	-	-	0,42	0,46	0,49	0,52	0,55	0,58	0,60	0,62	0,65	0,66	0,68
Discharge LX3037	3	l/s	0,4	0,45	0,5	0,56	0,62	0,67	0,71	0,77	0,81	0,84	0,87	0,90	0,92	0,95	0,98
Discharge LX3038	4	l/s	0,47	0,60	0,68	0,76	0,82	0,86	0,90	0,95	0,99	1,04	1,10	1,15	1,20	1,24	1,26
Discharge LX3039	5	l/s	0,6	0,73	0,84	0,95	1,04	1,10	1,17	1,23	1,28	1,33	1,38	1,44	1,50	1,56	1,61

LORO-X Retention Roof Drainage

LX3035-5X

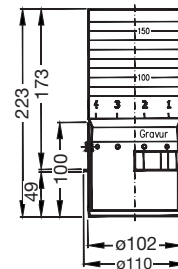
Retention roof drain
Art.-No. 14514.100X
weight: 5.3 kg

with clamping flange
for bituminous and plastic
sealing sheets



LORO-X Retention rotary slide
with a retention pipe cut according to the
building construction for a planned
rainwater retention on the roof

Art.-No. 14311.100X
weight: 0.9 kg



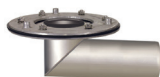
The retention rotary slide can be combined with the following
base-/ bottom units:

DRAINLET®/DRAINJET® Bottom units

vertical:
21991.100X / 21908.100X
21992.100X / 21909.100X
21993.100X



horizontal:
21994.100X
21995.100X
21996.100X



Series O Bottom units

vertical:
17300.100A
17400.100A
17500.100A



horizontal:
17301.100A
17401.100A
17501.100A



Extension cartridge

17204.100A



VARIO upstand spout, for bending on site

15072.100X



Sealing element

00911.100X

